
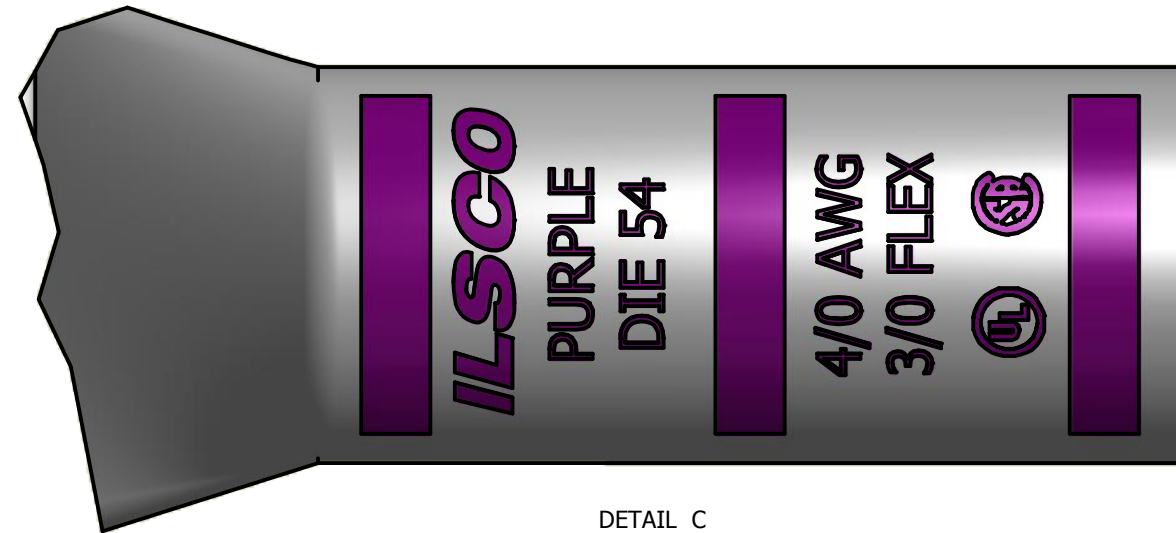
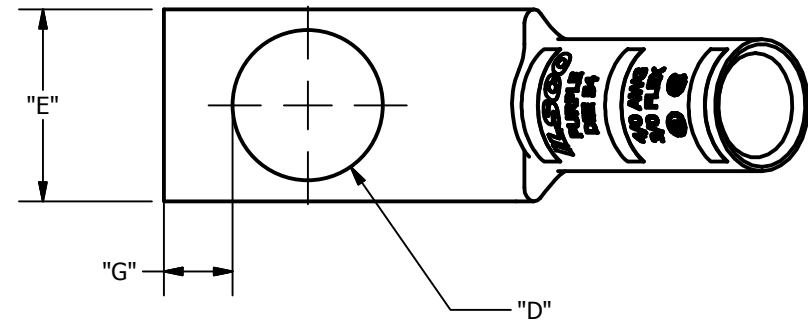
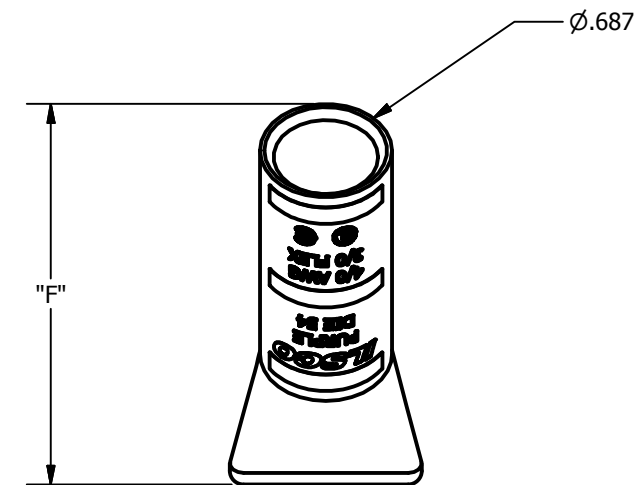
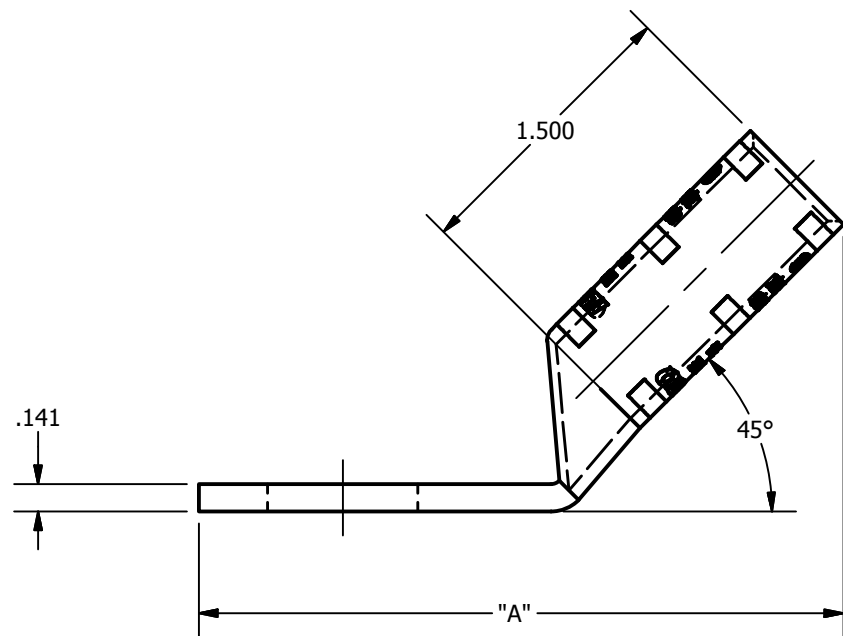


SCREW: NONE	MATERIAL: COPPER	REV: E	 800-776-9775 www.ilSCO.com
CAT. NO.: SEE CHART	PLATING: EL-TIN	DRAWN BY: DW SCALE: NTS	
INFORMATION SHEET: FORM 157	MARKING: SEE CHART	DATE: 6/3/2008 SIZE: B	
			DWG NO: Y1003-S-4
			SHEET: 1 OF 1



DETAIL C
INK MARK TOP & BOTTOM



CATALOG NUMBER	"A"	"D"	"E"	"F"	"G"	TANG MARKING
CLNB-4/0-14-4	2.414	0.281	0.999	1.998	0.180	UL, ILSCO, CSA, CLNB-4/0-14-4, 1/4, 4/0 AWG, 3/0 FLEX, DIE 54
CLNB-4/0-12-4	2.789	0.562	0.999	1.998	0.265	ILSCO, 4/0 AWG, 3/0 FLEX, CLNB-4/0-12-4, DIE 54, UL, CSA
CLNB-4/0-58-4	2.976	0.656	0.999	1.998	0.343	UL, ILSCO, CSA, CLNB-4/0-58-4, 5/8, 4/0 AWG, 3/0 FLEX, DIE 54
CLNB-4/0-34-4	3.226	0.781	0.999	1.998	0.359	UL, ILSCO, CSA, CLNB-4/0-34-4, 3/4, 4/0 AWG, 3/0 FLEX, DIE 54
CLNB-4/0-38-4	2.735	0.406	0.999	1.998	0.211	UL, ILSCO, CSA, C-4/0-38-4, 3/8, 4/0 AWG, 3/0 FLEX, DIE 54
CLNB-4/0-516-4	2.414	0.343	0.999	1.998	0.180	UL, ILSCO, CSA, CLNB-4/0-516-4, 5/16, 4/0 AWG, 3/0 FLEX, DIE 54